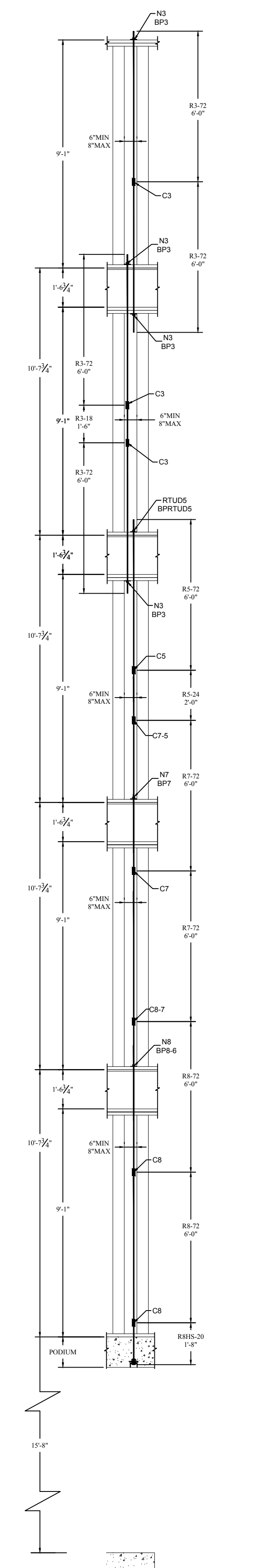
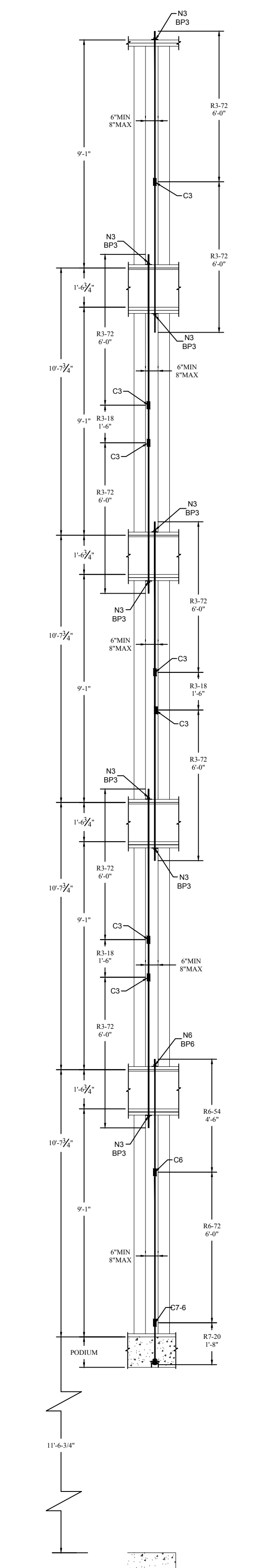
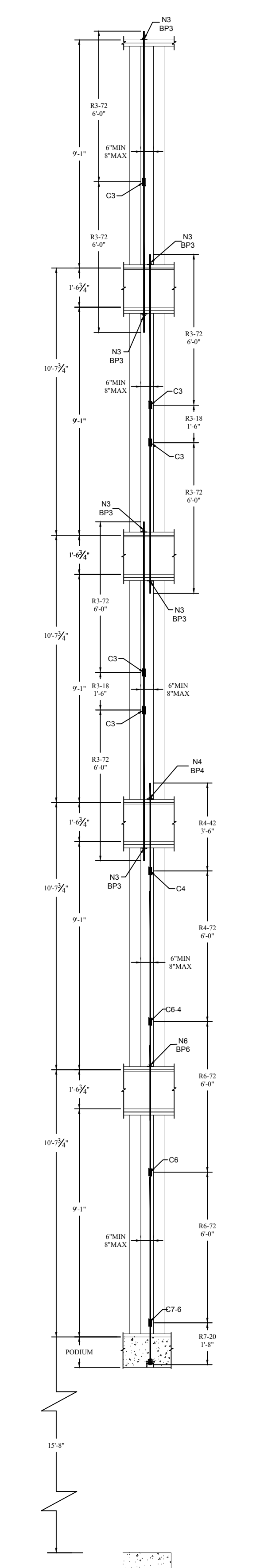
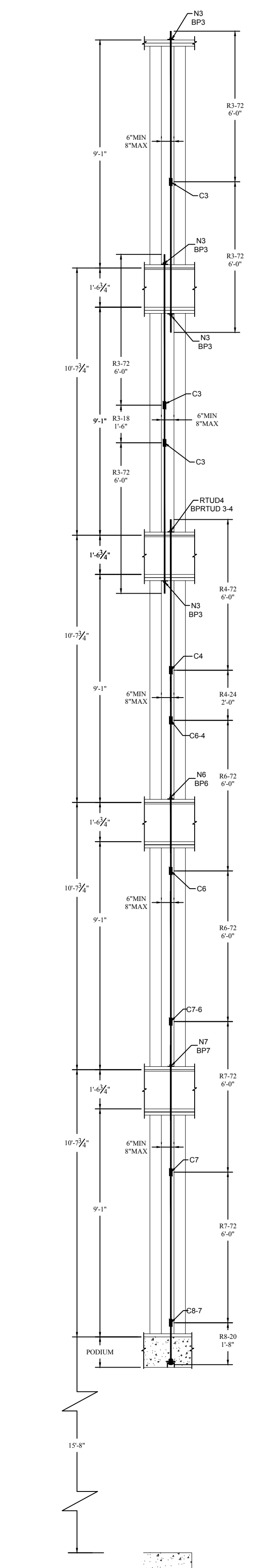
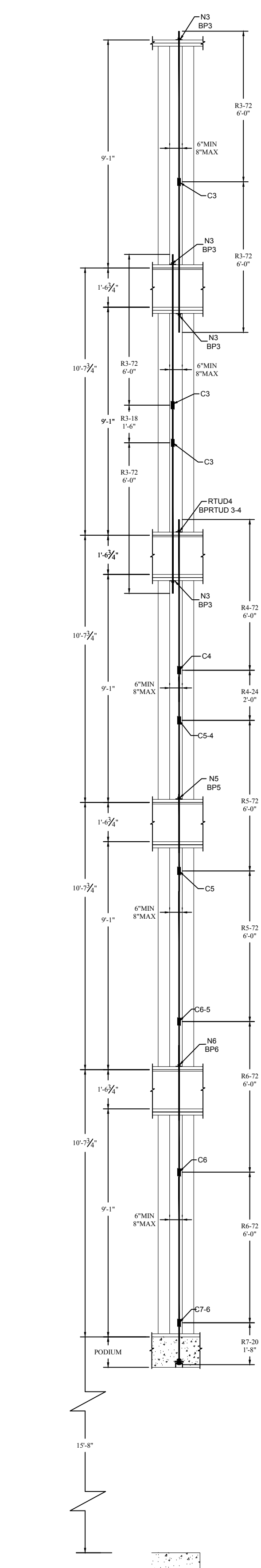
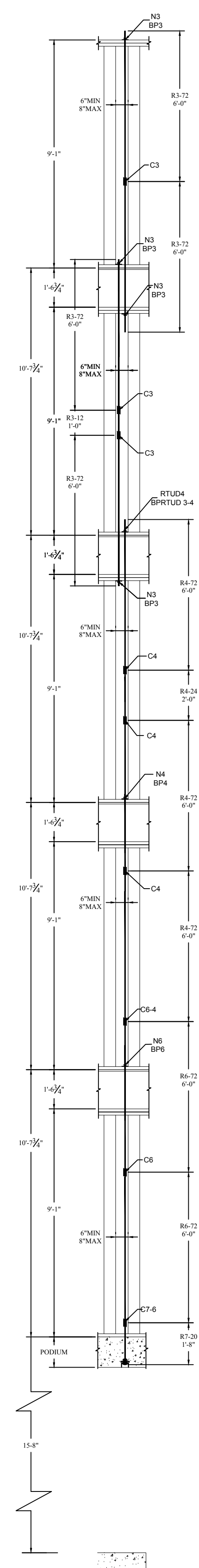


ROD DESIGNATION		ROD DESIGNATION	
NUMERAL	ROD DIA.	NUMERAL	ROD DIA.
3	3/8"	3	3/8"
4	1/2"	4	1/2"
5	5/8"	5	5/8"
6	3/4"	6	3/4"
7	7/8"	7	7/8"
8	1"	8	1"
9	1 1/8"	9	1 1/8"
10	1 1/4"	10	1 1/4"

SHEAR ROD DESIGNATION KEY

UPLIFT ROD DESIGNATION KEY



SA ROD STACK SECTION
HD1/HD8/HD8
/HD9/HD9

SB ROD STACK SECTION
HD2/HD7/HD8
/HD9/HD9

SC ROD STACK SECTION
HD3/HD6/HD8
/HD9/HD9

SD ROD STACK SECTION
HD2/HD8/HD8
/HD9/HD9

SE ROD STACK SECTION
HD1/HD9/HD8
/HD9/HD9

SF ROD STACK SECTION
HD4/HD6/HD7
/HD9/HD9

SHEAR WALLS

No.	Revision	Date

Engineer Info/Stamp

Blue Sky
Tie Down Systems

310 West Cedar Street
Seguin, TX 78155

www.blueskytie.com

Drawn By:	Sheet:
Date:	RS1
Scale:	