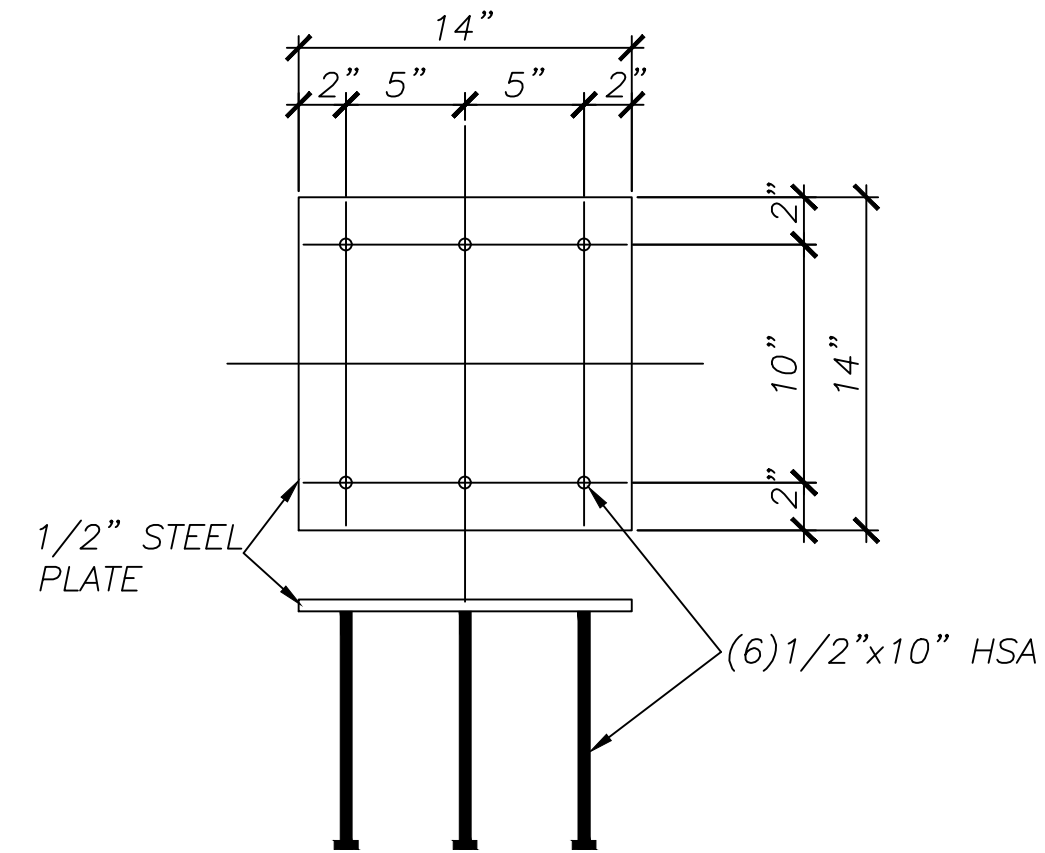


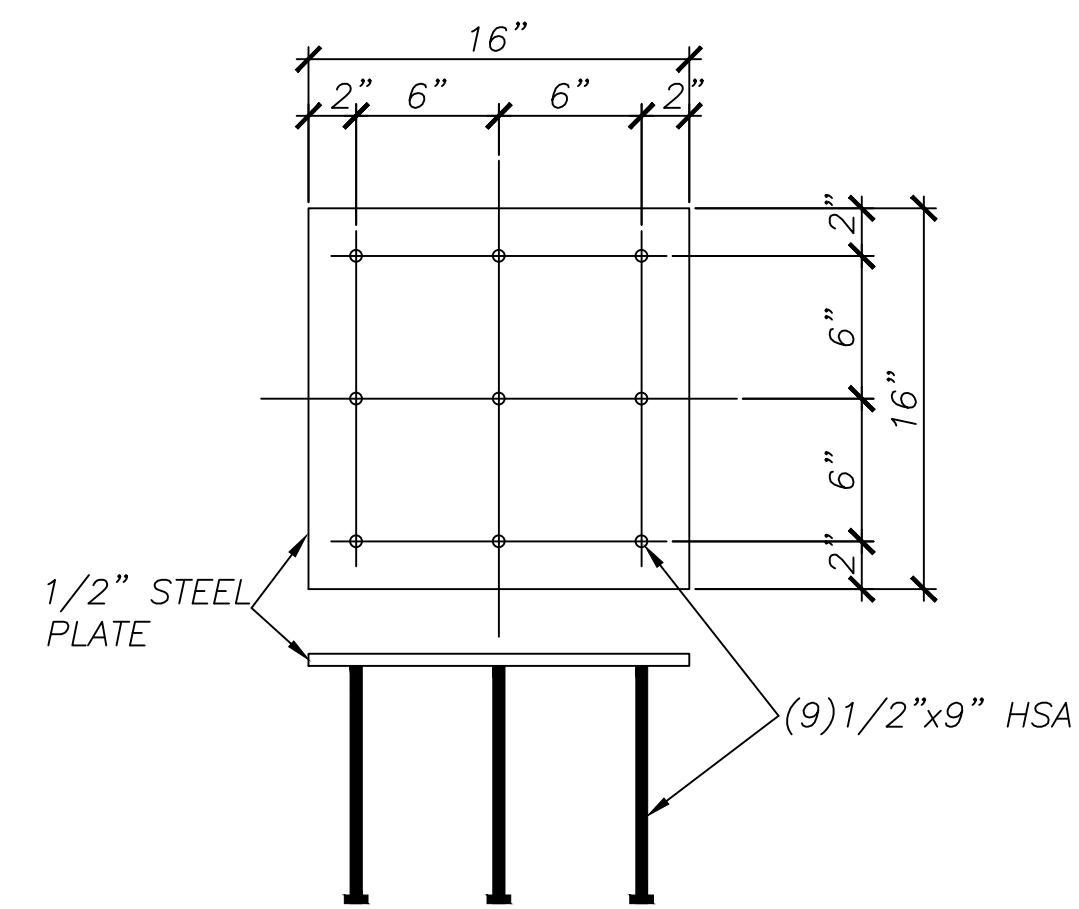
97 qty

SAP-01
R3/R4/R5/R5HS/R6/R6HS/R7
INTERIOR



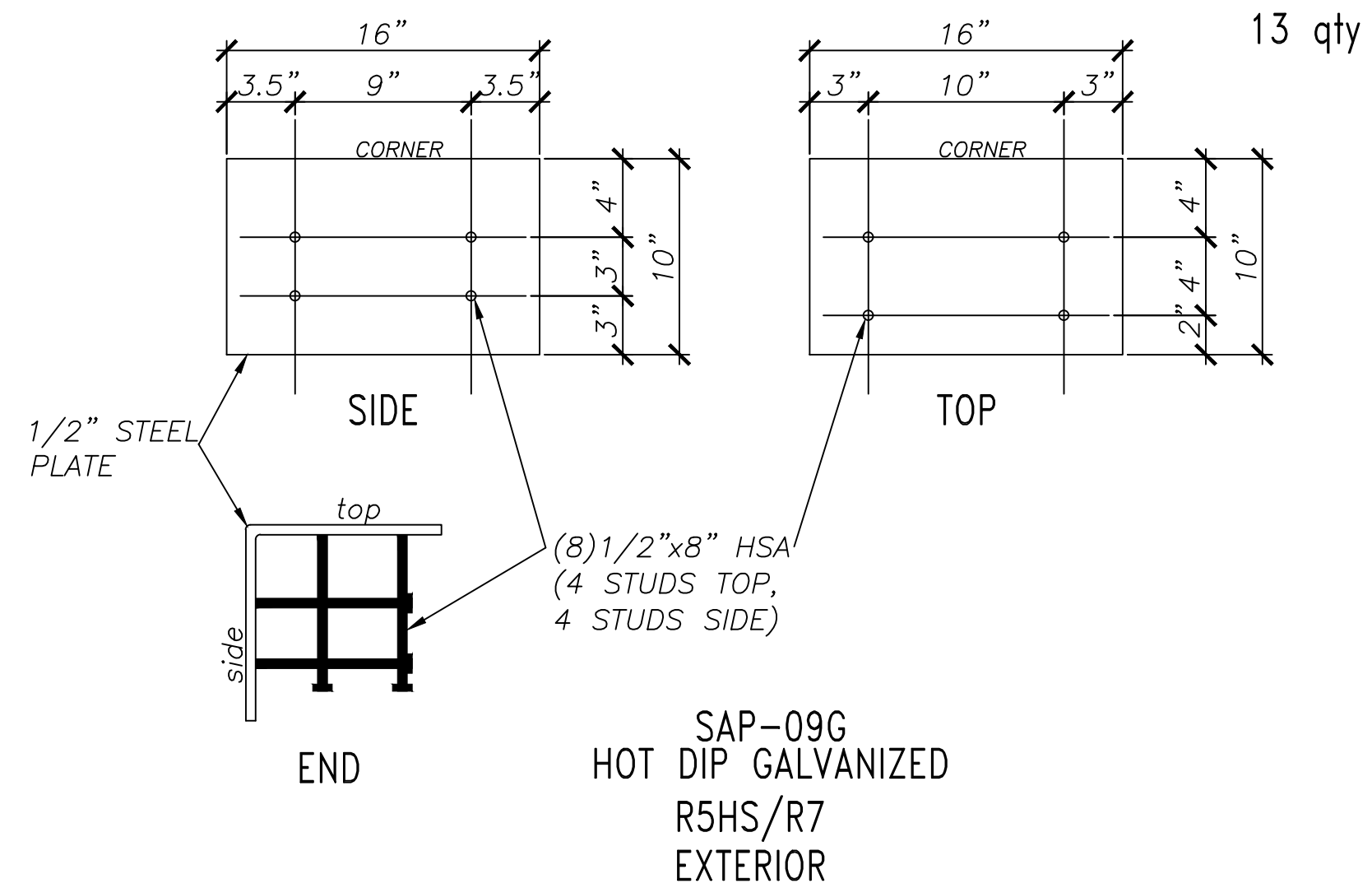
2 qty

SAP-03
R7HS/R9
INTERIOR



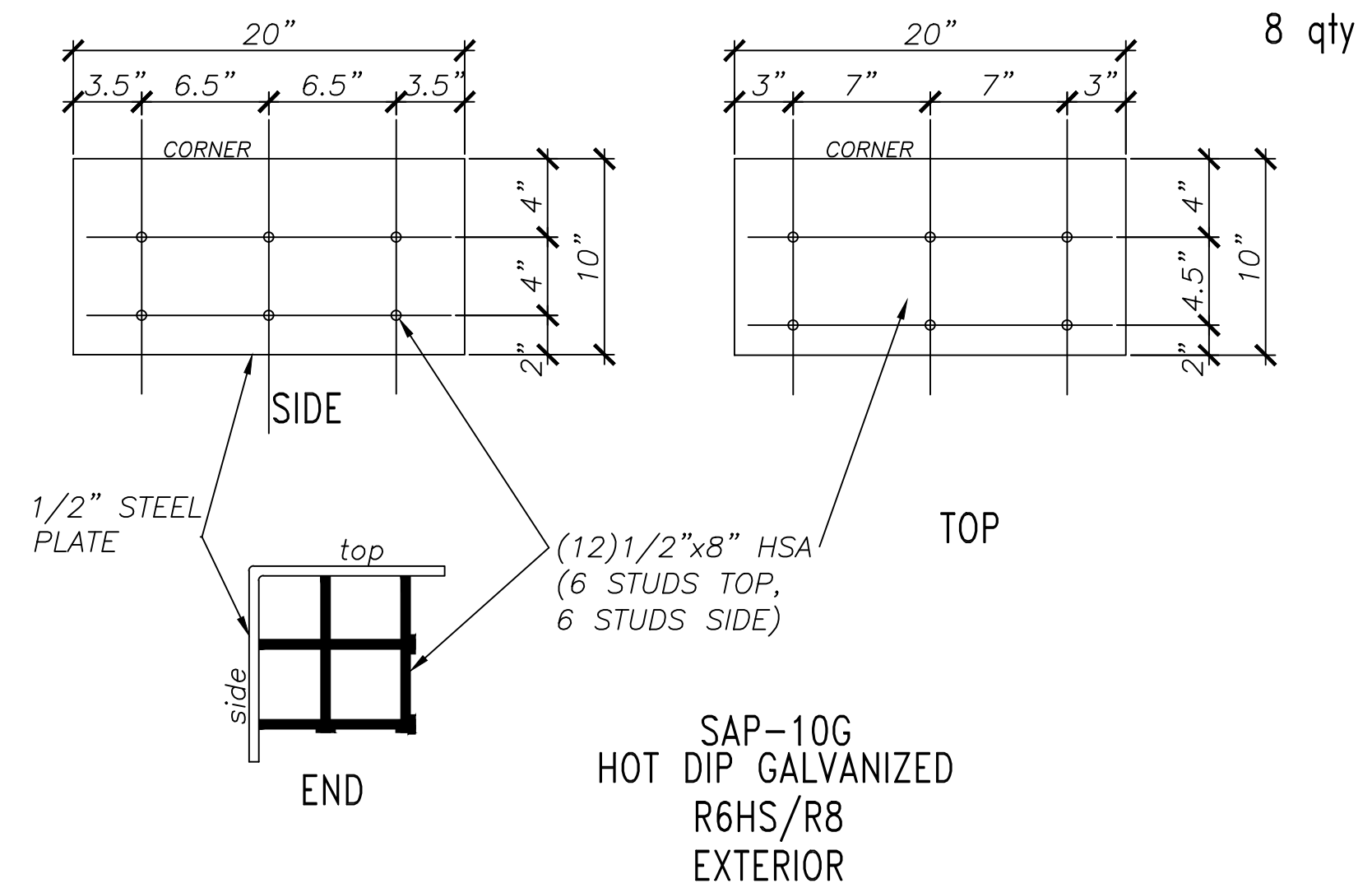
6 qty

SAP-04
R8HS/R9HS
INTERIOR



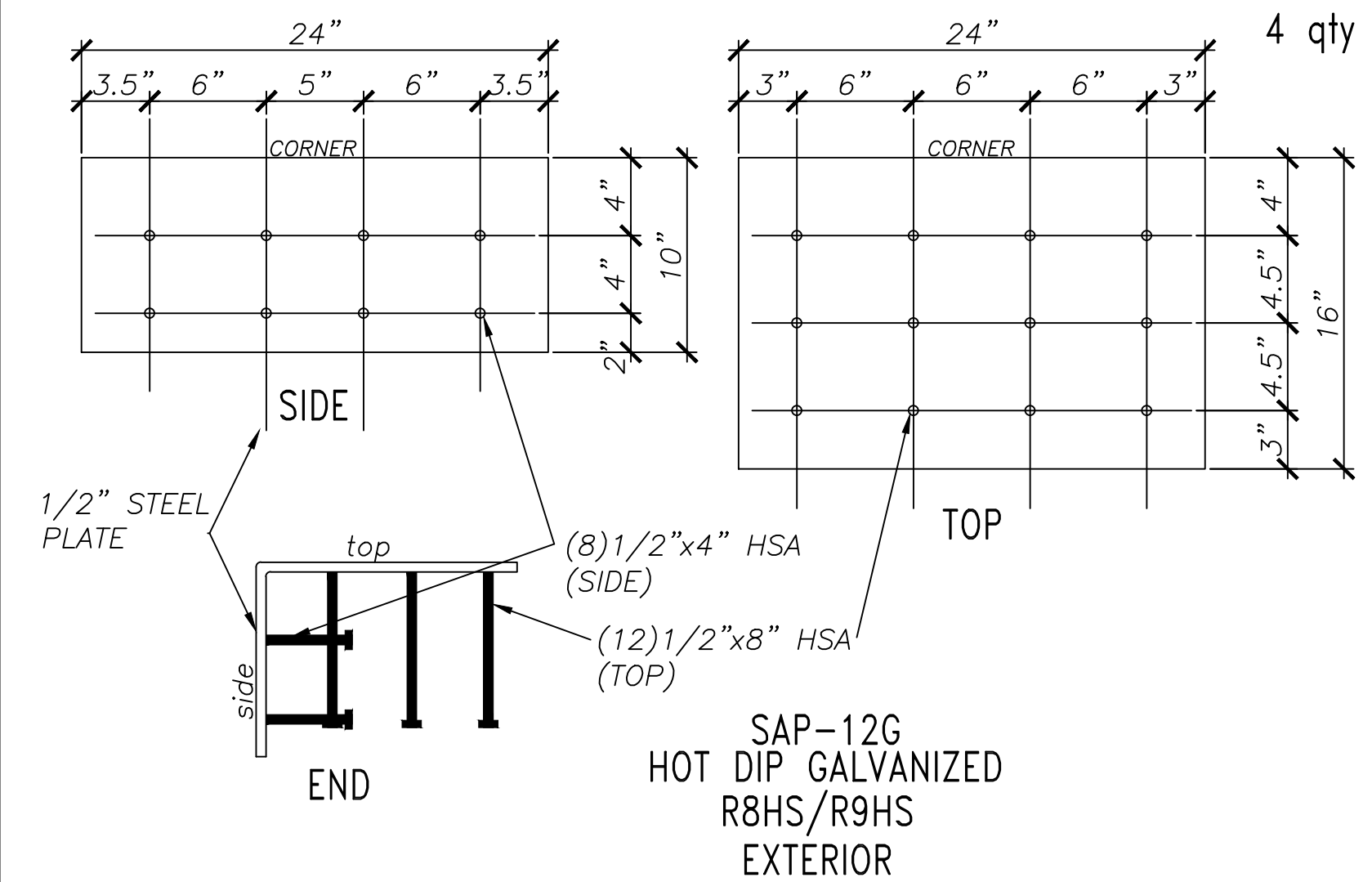
13 qty

SAP-09G
HOT DIP GALVANIZED
R5HS/R7
EXTERIOR



8 qty

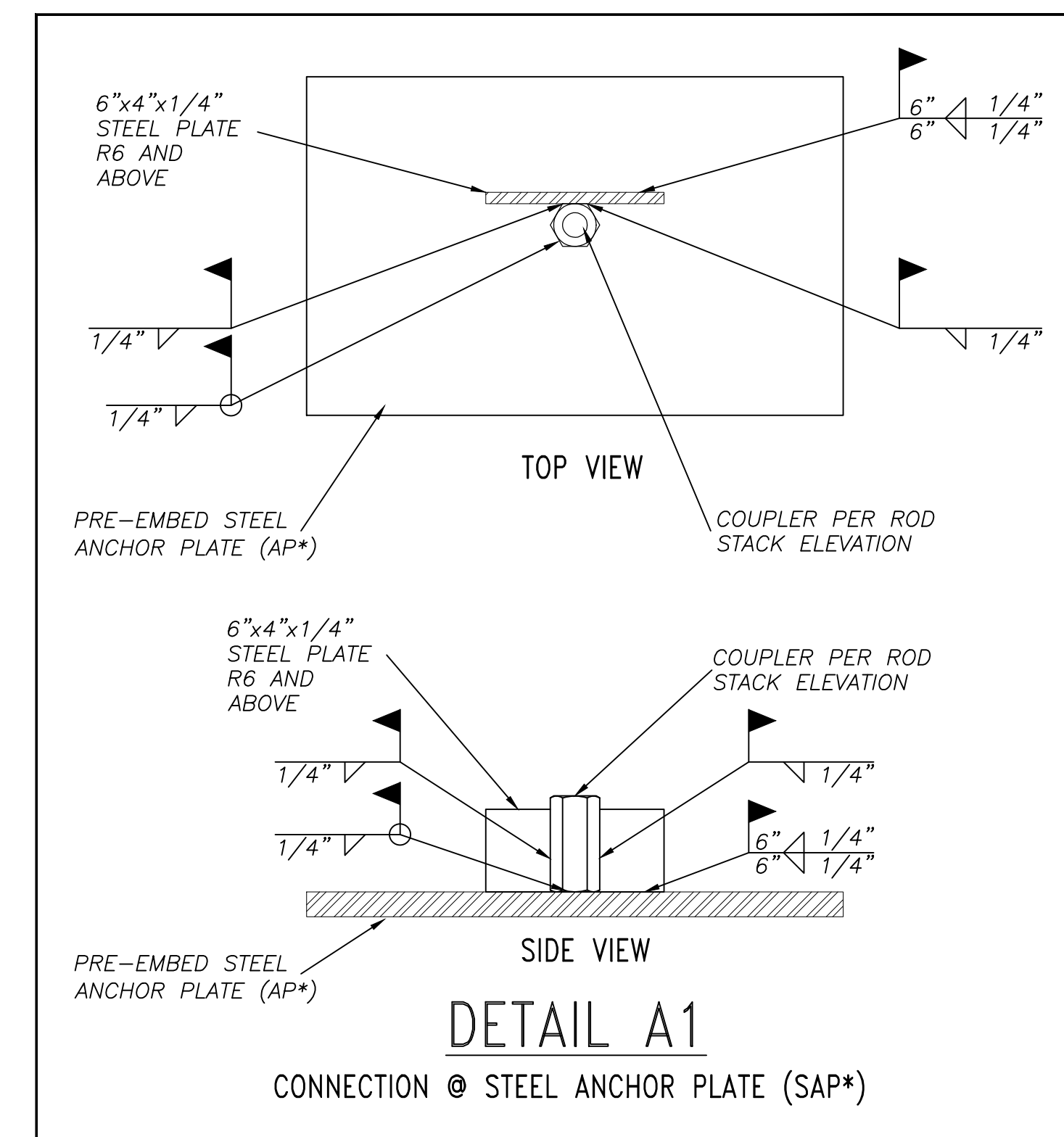
SAP-10G
HOT DIP GALVANIZED
R6HS/R8
EXTERIOR



4 qty

SAP-12G
HOT DIP GALVANIZED
R8HS/R9HS
EXTERIOR

NOTE: ALL PLATES TO BE A36 GRADE STEEL. THICKNESS AND SIZE AS NOTED.
ALL HSA STUDS TO BE WELDED PRIOR TO PLATE HOT DIP GALVANIZATION.



No.	Revision	Date

ROBERT A. DAVIS, PE
P.O. BOX 13106
RUSTON, LA 71273
Engineer Info/Stamp

Blue Sky
Tie Down Systems

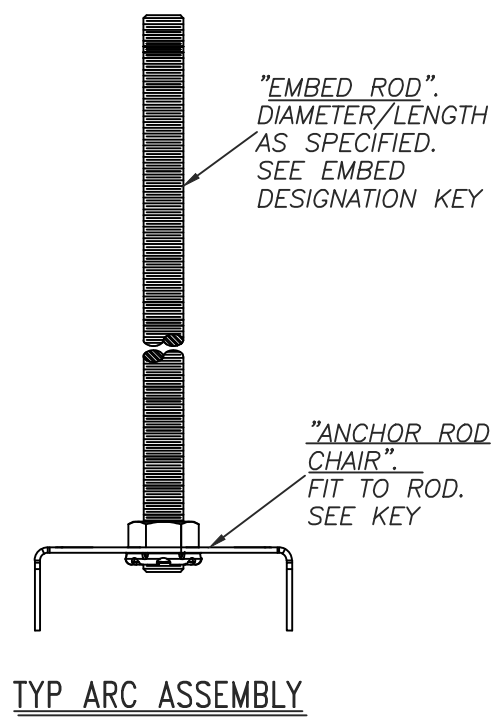
www.blueskytie.com

310 West Cedar Street
Seguin, TX 78155

**TECH ENTERPRISE
PARK APTS**

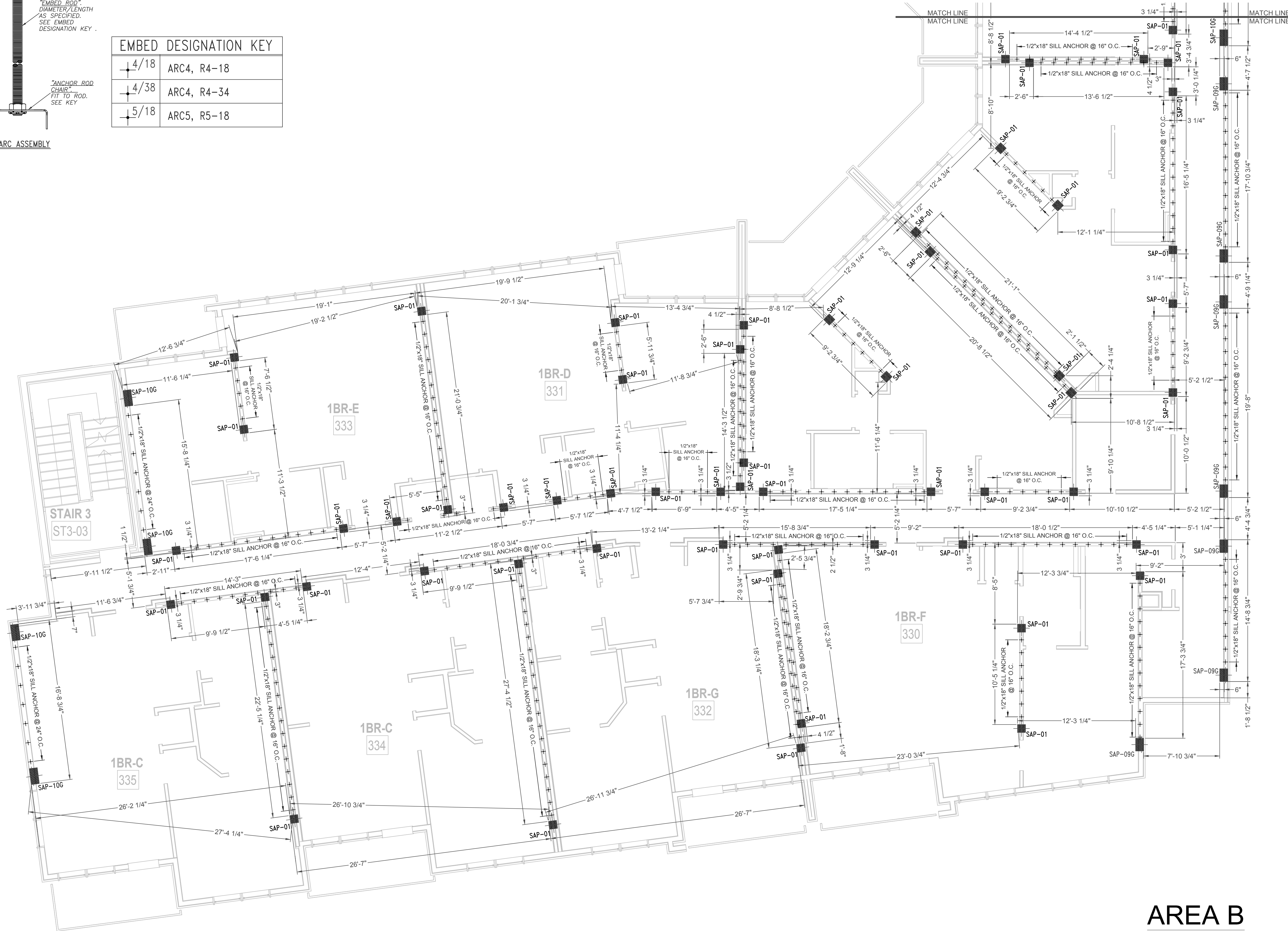
ATLANTA, GA

Drawn By:	JKB	Sheet:	RF3
Date:	1-13-23	Scale:	
Scale:	NONE		



EMBED DESIGNATION KEY	
4/18	ARC4, R4-18
4/38	ARC4, R4-34
5/18	ARC5, R5-18

TYP. ARC ASSEMBLY



**AREA B
WET SET LAYOUT**

No.	Revision	Date

ROBERT A. DAVIS, PE
P.O. BOX 13106
RUSTON, LA 71273
Engineer Info/Stamp

Blue Sky
Tie Down Systems

310 West Cedar Street
Seguin, TX 78155
www.blueskytie.com

**TECH ENTERPRISE
PARK APTS**

ATLANTA, GA

Drawn By:	JKB	Sheet:	WS1
Date:	1-13-23	Scale:	
Scale:	NONE		

